

Overview

Capacitive Touch Stations (CTS) provide local occupant interface on the Satellite / Station Network. CTS are available in three versions; Channel On/Off, Channel Raise/Lower, and Preset, with several button layouts. The CTS interface features LED and audible chirp indication as well as schedule transition warnings. CTS fit decorator style wall plates, are gang-able with other devices, and are available in four colors.

Features

Resides on Satellite / Station Network

Available Colors: Black, Grey, Light Almond, or White

Fits decorator style wall plates

Gang-able with other decorator style devices

Cleaning mode for wipe down without disturbing lights

Extended life cycle

- No moving switch parts
- LED indicator

Preset Station applicable on platforms w/dimming capable Controller Board only

General Specifications

Construction: Acrylic face, ABS/polycarbonate back box / mounting frame

Dimensions:

Station: 4.13"(105mm)H x 1.75"(44mm)W x 1.13"(29mm)D

Capacitive Touch Surface: 0.5"(13mm)H x 0.5"(13mm)W per button

Weight: 3oz (85g)

Mounting: Standard single gang or multi-gang switch box, (2) #6/32 screws (included), and Decorator style wall plate (not included)

Operating Environment: 32-125°F (0-50°C), 20-95%RH, non-condensing

Warranty

Two (2) year limited manufacturer warranty from date of shipment (extended warranty optional)

Low Voltage Specification

Power / Draw: 24VDC / 15mA per CTS

Satellite / Station Network Specifications

Protocol: CAN-bus

Maximum Unique Station Addresses: 6 on ZC Standard, 12 on ZC Extended, and 64 on RI / RP

Address: DIP switch selectable

Topology: Free topology, stars and t-taps allowed

Wire Requirement / Maximum Length: CL3P, 22AWG, 4 conductor, Unshielded / 500'(152m)

Network Termination: DIP switch

Station Specifications

Button Layout

Channel On/Off: 1, 2, 3, 4, and 6

Channel Raise/Lower: 3 (raise, lower, and On/Off), 6 (2 raise, 2 lower, and 2 On/Off)

Preset: 6 (preset 1, 2, 3, raise, lower, and On/Off), 6 (preset 1, 2, 3, 4, 5, and 6)

Button Operation

On/Off and Preset: Momentary On/Off

Raise/Lower: Press and hold for raise or lower

Indicator Operation (On/Off and Preset Buttons)

Audible Indication: Chirp when button is pressed

LED Status Indication: LED is on when associated lighting is on. LED is dimly lit when associated lighting is off providing locator light.

LED Schedule Transition Warning: Rapid blinking

Button Configuration

Button-channel links are stored in the Controller Board Configuration Database.

Default: Buttons have a default setting enabling basic function before system configuration.

Channel On/Off: Each button is linked to a Channel

Channel Raise/Lower: Each set of buttons is linked to a Channel

Preset: Each button is linked to Preset

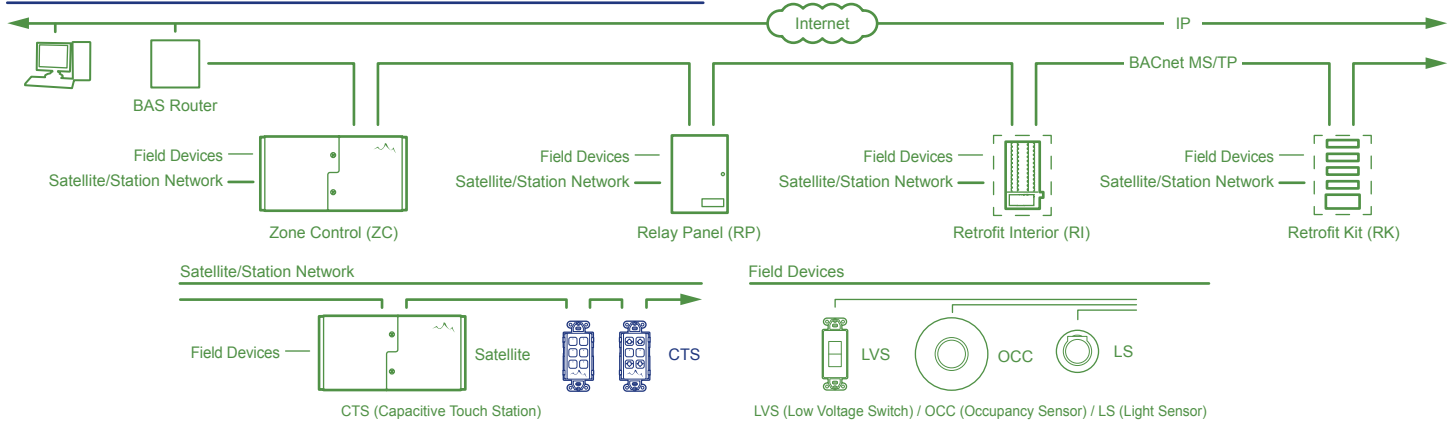
3-way / 4-way Operation: Requires CTS of same type and button layout. Accomplished by using same network address (may require additional power).

Capacitive Touch Station

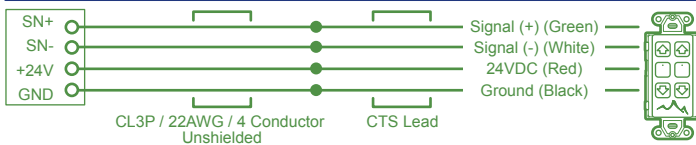
www.BRTint.com : 800-241-9173 Blue Ridge Technologies® © 2014 Blue Ridge Technologies International, LLC All Rights Reserved. CTS-DS-V14.05

Data Sheet : Catalog Page 65

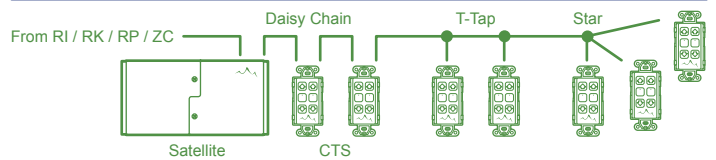
General Architecture



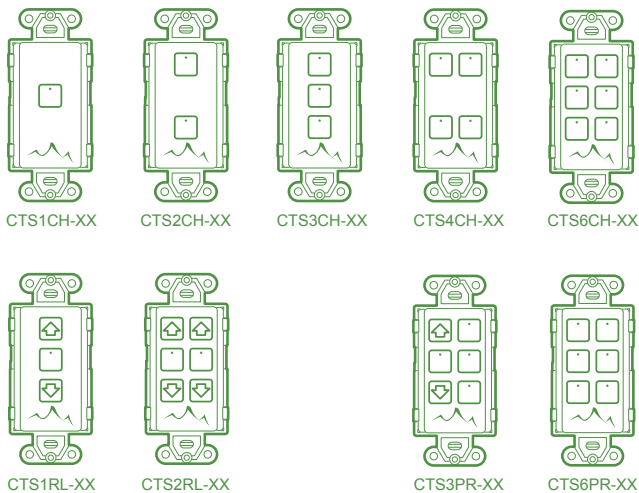
RI / RK / RP / ZC / Satellite Terminations



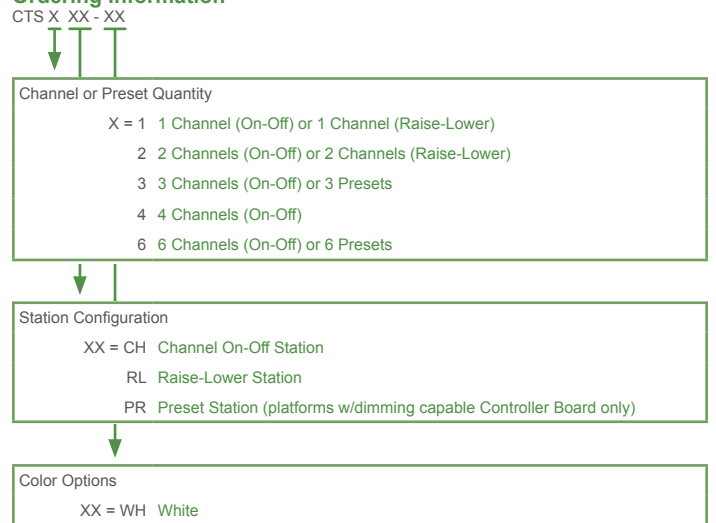
Satellite/Station Network Structure



Button Layout Options



Ordering Information



Custom colors including Black, Grey, and Light Almond are available contact Blue Ridge Technologies for details.